

1.1.11. Single row grille for circular profile air ducts

KSH/Ø, KSV/Ø



Use:

Air supply or air exhaust in low and medium pressure installations in non aggressive environment with relative humidity up to 70%.

Fitting:

On round profile air ducts. Fitted using visible screws in holes pressed in the front frame.

Construction:

Front frame is made of pressed steel profiles, adhering to the profile of a circular air duct. Blades made of rolled steel plate profiles. Horizontal fixture of blades KSH, vertical fixture - KSV, manually set inclination angle. Optional variants of manufacturing the front plate: arc type – KSH/Ø-1 or broken type - KSH/Ø-2 screen made of expanded steel sheets.

Material:

Black steel plate – galvanized or acid resistant.

Surface Finish

RAL 9003 white powder coat or other colour according to RAL catalogue on demand.

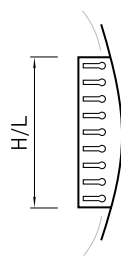
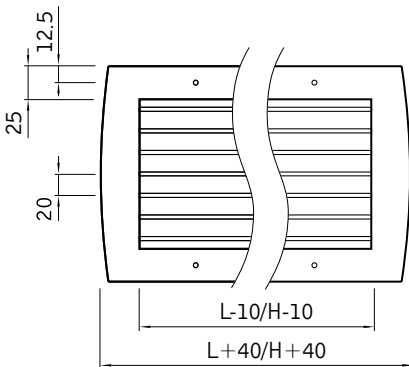
Flow regulation:

The flow is regulated with a tilting, single element N type damper, a slotted SK or SP type damper. Flow regulation can be made from the front without the necessity of dismantling of the grille.

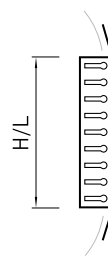
Certificates:

Technical recommendation: RT-ITB-1147/2009
Hygiene certificate: HK/B/1705/01/2008

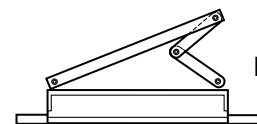
Dimensions and type marking:



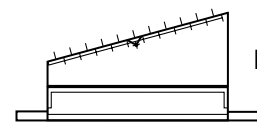
KSH/Ø-1



KSH/Ø-2



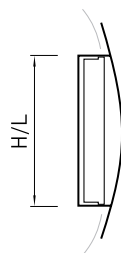
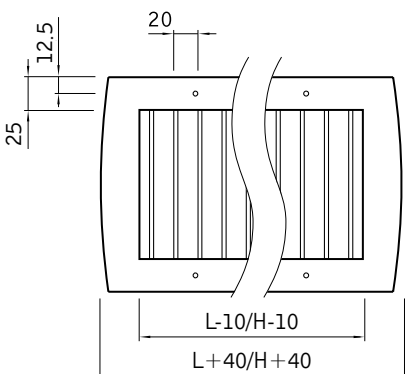
KSH/Ø-N



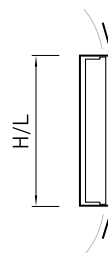
KSH/Ø-SK



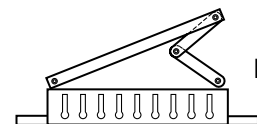
KSH/Ø-SP



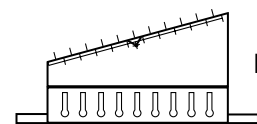
KSV/Ø-1



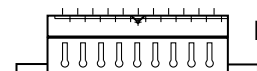
KSV/Ø-2



KSV/Ø-N



KSV/Ø-SK



KSV/Ø-SP