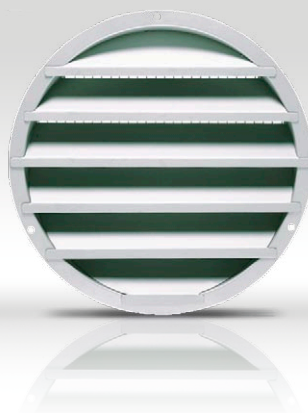


## 3.1.3. Circular air intake

CWO

**Use:**

Air intake or exhaust in low and medium pressure systems, for outdoor and flowing air.

**Fitting:**

In interior and exterior walls of buildings. Fitted using visible screws in holes pressed in the front frame.

**Construction:**

Front frame and blades made of rolled galvanized steel sheet profiles. Blades fixed at 45°.

**Material:**

Galvanized or acid resistant steel sheet.

**Surface finish:**

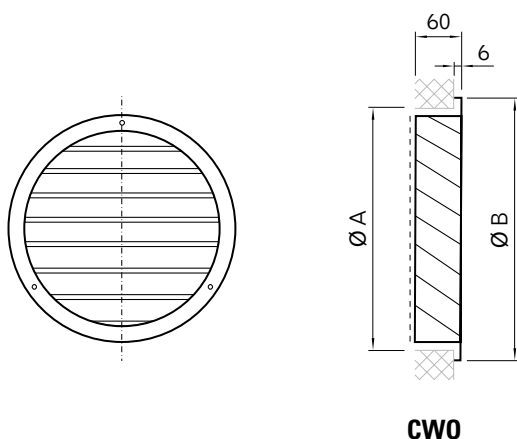
On demand powder coated. Colour according to RAL catalogue.

**Air flow regulation:**

With a single leaf damper type PJO.

**Certificates:**

Hygiene certificate: HK/B/1705/01/2008

**Dimensions and type marking:****Production range::**

ØA [mm]	ØB [mm]
160	200
200	240
250	290
300	340
315	355
350	390
400	440
500	560
630	690
800	860