

**Use:**

Air flow regulation in circular, low and medium pressure systems, both in air supply and air exhaust ducts.

Fitting:

In ventilation ducts, providing the following straight sections: 4x duct diameter before the damper and 1x duct diameter behind the damper.

Construction:

Fitted with a shutter lever for adjustment of the opening diameter, and two tips allowing connection of air flow control.

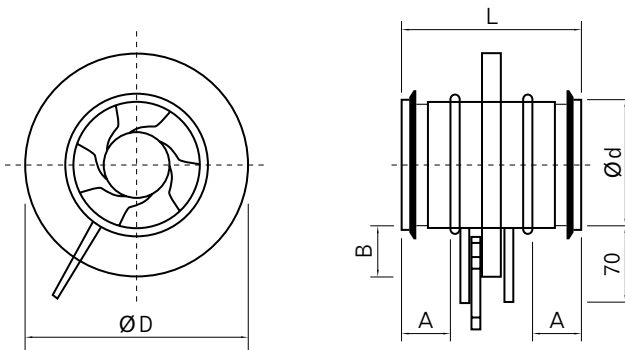
The regulating lever is fitted with two bolts which fix the desired damper setting. Face edges finished with rubber seals allowing air tight fitting in ducts.

Material:

Galvanized steel sheet.

Air flow regulation:

Smooth diaphragm diameter regulation.

Dimensions and type marking:**Production range:****IRIS**

Typ	Ød [mm]	ØD [mm]	L [mm]	A [mm]	B [mm]
100	99	165	110	30	32
125	124	210	110	30	42
160	159	230	110	30	35
200	199	285	110	30	42
250	249	335	135	40	42
315	314	410	135	40	47
400	398	525	190	60	62

Product marking:**IRIS-Ø200**

Diameter ØD

Type

Example of an order:**IRIS- Ø200,**

Duct damper, diameter Ø 200 mm.