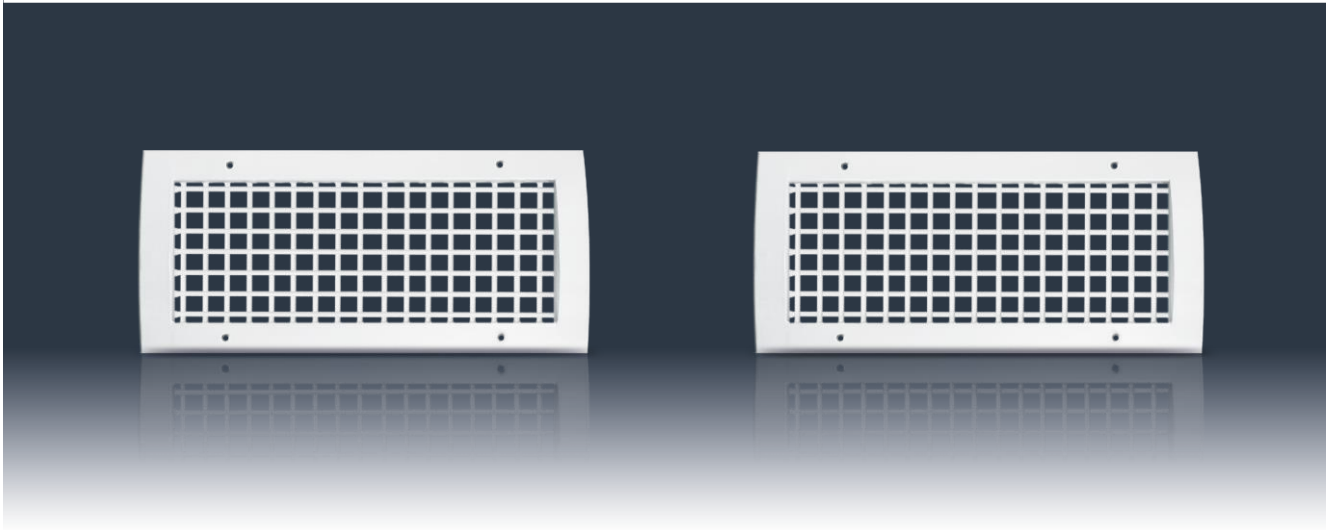


1.1.14. Double row ventilation grilles for circular ducts

KSH-V/ \varnothing , KSV-H/ \varnothing



Use:

Supply or exhaust in low and medium pressure installation in non-aggressive environment with relative humidity up to 70%.

Assembly:

On circular ducts. Fixing using visible screws.

Construction:

Front frame is made of pressed steel profile, adhering to circular ducts. Blades are made of rolled steel profile.

KSH-V – first horizontal second vertical blades, KSV-H first vertical second horizontal blades, manually set blades. Two types of grilles -1 arc profile, -2 broken profile.

Material:

Black steel sheet, galvanized steel or stainless steel.

Surface finish

RAL 9003 white powder coat or other RAL colour according to RAL catalogue on demand.

Air flow regulation:

Flow is regulated by opposed blade damper P, a straight slotted damper SP and angular slotted damper SK. Single elements damper – N. Flow regulation can be made from the front without the necessity of dismantling grilles.

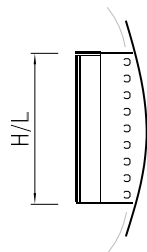
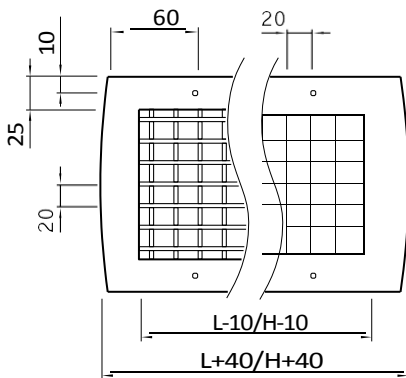
Certificates:

Certificates:

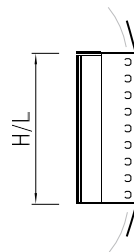
Hygienic certificate: BK/K/0926/01/2018

Type and dimension marking:

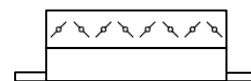
Dimension L-10 and H-10 it concerns neck of grilles



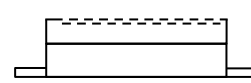
KSH-V/ \varnothing -1



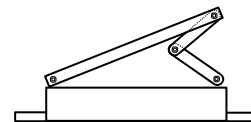
KSH-V/ \varnothing -2



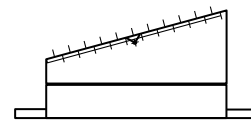
KSH-V/ \varnothing -P
KSV-H/ \varnothing -P



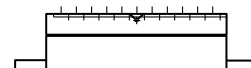
KSH-V/ \varnothing -PP
KSV-H/ \varnothing -PP



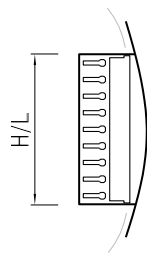
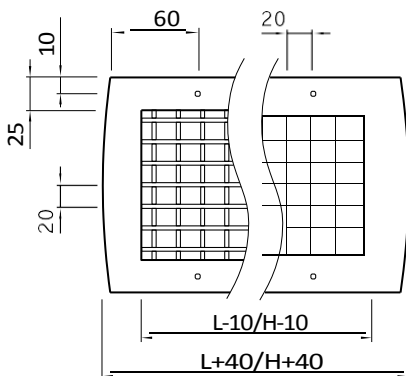
KSH-V/ \varnothing -N
KSV-H/ \varnothing -N



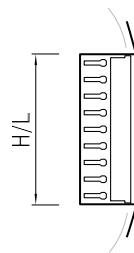
KSH-V/ \varnothing -SK
KSV-H/ \varnothing -SK



KSH-V/ \varnothing -SP
KSV-H/ \varnothing -SP



KSV-H/ \varnothing -1



KSV-H/ \varnothing -2