

**Use:**

Air exhaust in low and medium pressure installation in non aggressive environment with relative humidity up to 70%.

Fitting:

With a central bolt on rectangular profile air ducts, in plenum boxes, in suspended ceilings and at the outlets of circular ducts. Fitting outside a plenum box with a KP adapter.

Construction:

The front frame and blades are made of rolled, diffusion formed steelsheet profiles. Fixed setting of the blades in the external frame.

Material:

Black steel sheet, galvanized or acid resistant.

Surface finish:

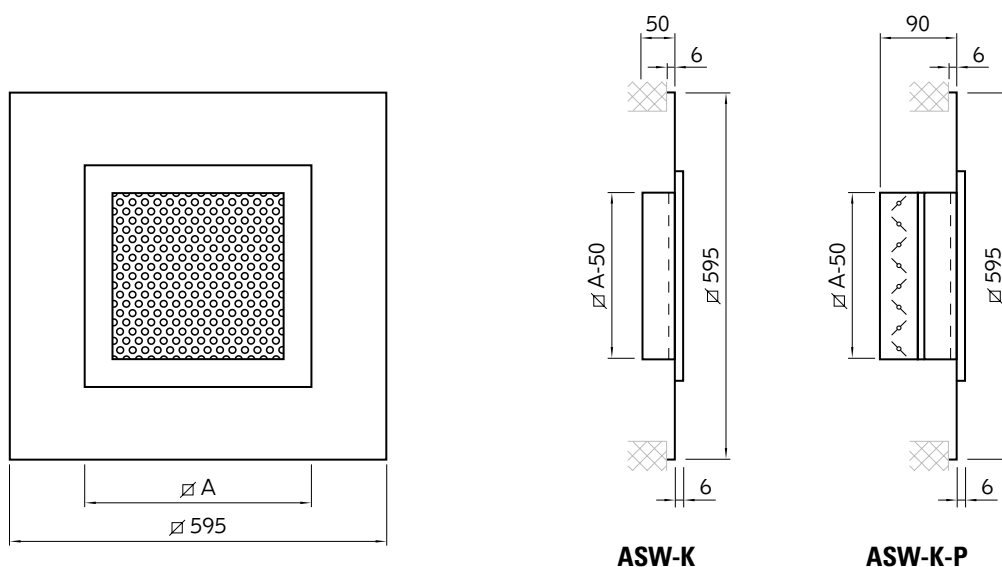
White powder coat RAL 9003 or other colour according to RAL catalogue on demand.

Air flow regulation:

With a counter directional P damper without the necessity of dismantling the diffuser, or with a single leaf damper at the outlet of a SR plenum box.

Certificates:

Hygiene certificate: HK/B/1705/01/2008

Dimensions and type marking:

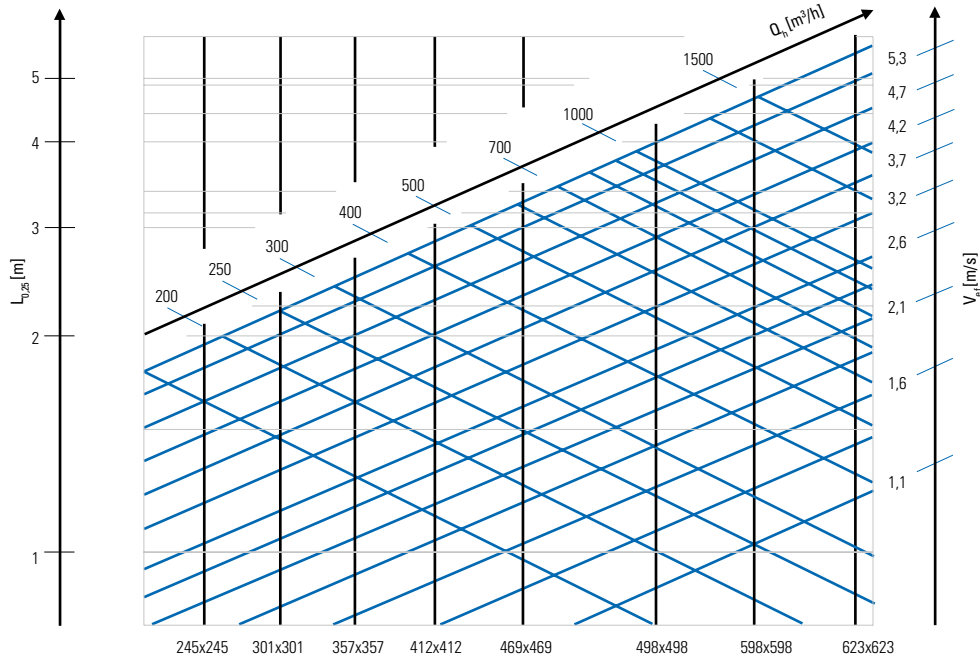
ASW-K

ASW-K-P

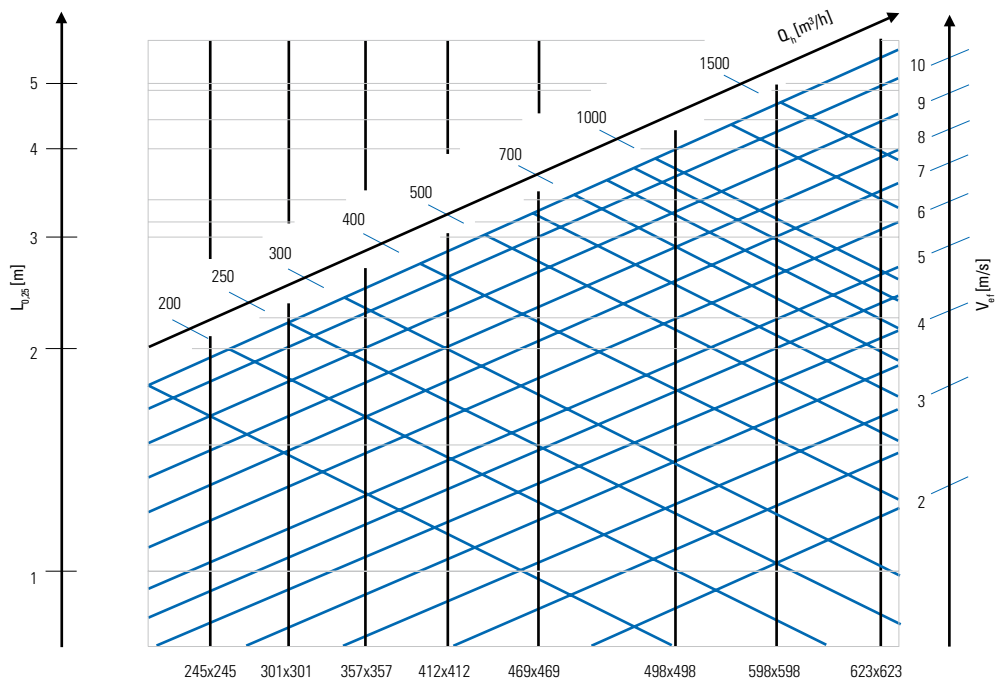
Graphs selection for exhaust diffusers ASW

Pressure loss relation (Δp), maximum stream velocity relation (V_{e1}), range of velocity stream $V=0,25$ m/s ($L_{0,25}$), and a level of acoustic power (L_{WA}) from air stream volume (Q).

Diffuser ASW-1, ASW-2

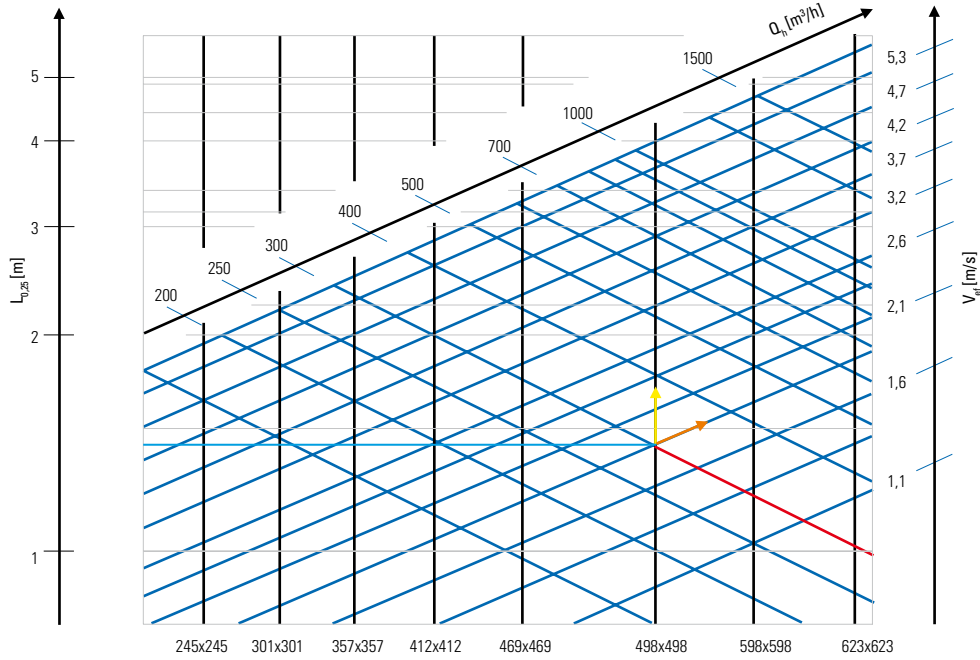


Diffuser ASW-3



Instructions for the diagrams of ASW exhaust diffuser selection

Diffuser ASW-1, ASW-2



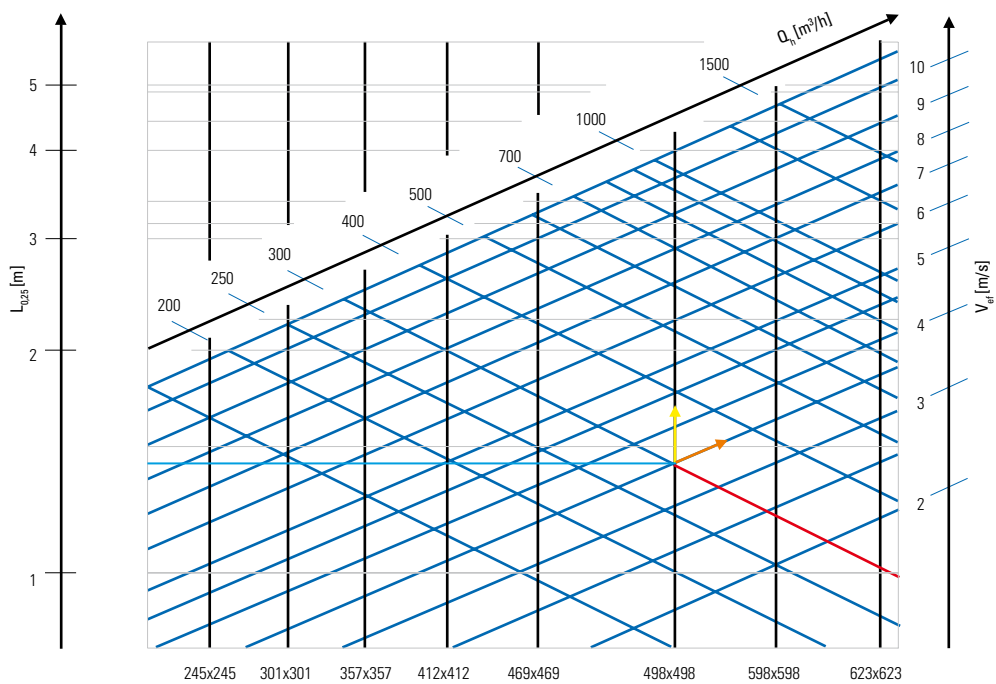
Example (colours adequate to lines):

- air outlet stream 300 m³/h
- flow velocity 0,25 m/s in the range of $L = 1,5$ m

Diagram reading

- Diffuser size 498x498
- Outflow velocity 1,9 m/s

Diffuser ASW-3



Example (colours adequate to lines):

- air outlet stream 300 m³/h
- flow velocity 0,25 m/s in the range of $L = 1,5$ m

Diagram reading

- Diffuser size 498x498
- Outflow velocity 3,5 m/s